

W White-Westinghouse

INTERNATIONAL

Factory Parts Catalog

Product No.	WRTS23V7CW3	WRTS23V7CW5
Series	R134a	R134a
Color	white	white
Volts	220	220
Wiring Diagram	240583901	240583901
Owner's Guide	240432700	240432700
Market	Export	Export
Energy Guide	240466721	240466721
Service Data Sheet	240506508	240506508
Installation Instructions	240568300	240568300

INTERNATIONAL
3 Parkway Center, Pittsburgh, PA 15220

Publication No.
5995437612
05/05/25
(EN/SERVICE/DCS)
357

**TOP-MOUNT
REFRIGERATOR**

Model No.
WRTS23V7C

Copyright © 2005 Electrolux Home Products, Inc.
All rights reserved.

DOOR

Model Index: A WRTS23V7C (WRTS23V7CW3)
 B WRTS23V7C (WRTS23V7CW5)

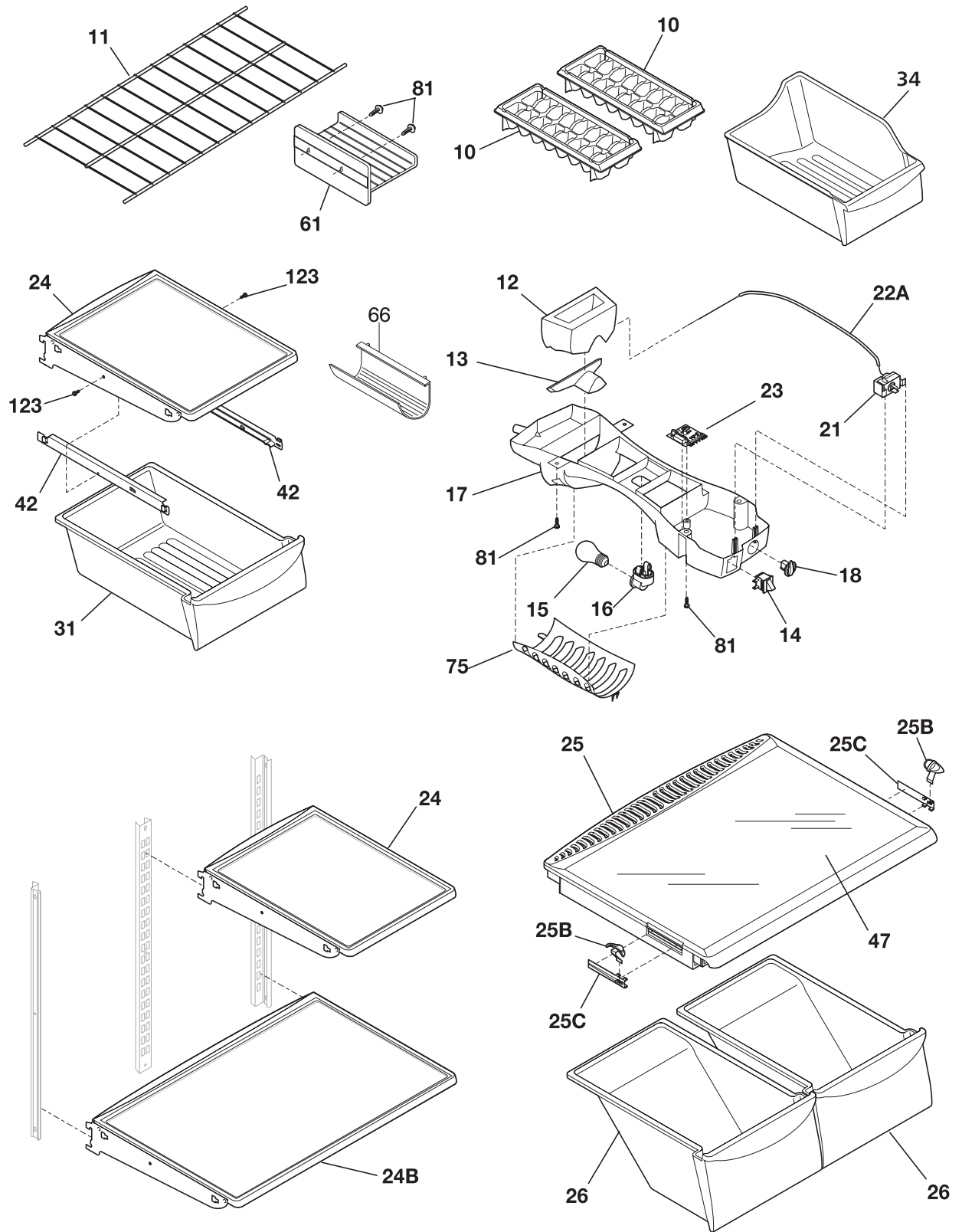
POS. NO	PART NO.		DESCRIPTION
1 #	240514607	A B	Gasket, seal, white, frzr door, magnetic
2 #	240514608	A B	Gasket, seal, white, refr door, magnetic
7	240338310	A B	Door-dairy, water blue
10	240381301	A B	Plug-button, white, hinge brg hole, (2)
11	240450303	A B	Door-frzr, white
12	240578101	A B	Label-nameplate
13	240312403	A B	Door Stop, white, ref
13A	240312404	A B	Door Stop, white, frzr
14	240494001	A B	Plug-button, white
15	240450425	A B	Door-refr, white
18	218668001	A B	Handle-door, white
21	240383401	A B	Screw, truss hd quad, #10-16 x .500
21C	218252200	A B	Screw, #8 truss hd, 10-32CA x 0.500
22	240527101	A B	Bearing-hinge, natural color
25	5308000716	A B	Dish, butter
26	3204522	A B	Container, egg
27	240396302	A B	Snugger, paddle type
27A	240396102	A B	Retainer, tall bottle
37	215870629	A B	Trim-handle, 2.47", white, w/satin AL band
37*	218676004	A B	Band-decorative, satin aluminum, handle trim
37A	240468401	A B	Trim-handle, 26.84", white, lower
37A*	218074001	A B	Plug-button, white, refr door front, 1, lower
37A*	218906701	A B	Lock-handle trim, stick-on
48	240338104	A B	Bin-door, pseudo, white, bottom
48A	240338207	A B	Bin-door, gallon, water blue
49	240495806	A B	Bin-door, pseudo, frzr

CABINET

Model Index: A WRTS23V7C (WRTS23V7CW3)
 B WRTS23V7C (WRTS23V7CW5)

POS. NO	PART NO.		DESCRIPTION
1	240355402	A B	Cover-fan
2	240367001	A B	Knob-damper control
3	5303001028	A B	Nut, push-on
4	240367401	A B	Damper-fan cover
5 #	5308000010	A B	Fan Blade, red, evaporator fan
8	5300157666	A B	Bushing-motor mtg, (2)
9	5303292396	A B	Bracket-motor mtg, front
10	240313609	A B	Cover-evap coil, w/light
10*	240568606	A B	Seal-coil cover
10*#	240524801	A B	Wiring Harness, freezer section, with light
11	5303208309	A B	Plug-hole, factory test
12	241557601	A B	Plug-ice maker harness, rectangular
12A	240374401	A B	Plug-wtr inlet tube, round, 1"
12A*	241586701	A B	Plug-foam-wtr-inlet, round
13 #	240419702	A B	Motor, evaporator fan, 220/240 V
13*	218931001	A B	Clamp-motor wiring, nylon, w/adhesive tape
14	5303292397	A B	Bracket-motor mtg, rear
14*	5303274237	A B	Screw, hex washer head, 8-32CA x 0.500, motor bracket
15	218095500	A B	Light Bulb/Lamp
16	218971501	A B	Socket-light/lamp
21C	218252200	A B	Screw, #8 truss hd, 10-32CA x 0.500
22	215774901	A B	Plug-button, white, upr hinge holes
28	240335501	A B	Bolt-roller adj, hex washer head, 1/4-20 x 4.020, (2), special
30	240314001	A B	Bracket-lower hinge, zinc
34	240311303	A B	Washer, hinge, nylon, (2)
35	240313801	A B	Bracket-ctr hinge, zinc
35A	240336802	A B	Spacer-hinge, center
36	240516401	A B	Pin-center hinge
37	240337601	A B	Trim-cabinet corner, white, (2)
38	240313701	A -	Bracket-upper hinge
38	241622601	- B	Hinge-up-plastic-wht, plastic, white
40	240354401	A -	Cover-upper hinge, white
41	5308009759	A B	Grommet, shelf mtg, 1.25", LH, (4)
42	240578901	A B	Screw-hinge mtg, hex head, 1/4-20 x 5/8
43	240335003	A B	Roller Assy, adjustable, front, (2)
47	218233300	A B	Channel-shelf mtg, side, (2)
48	5303292395	A B	Channel-shelf mtg, center
49	218362500	A B	Screw, hex washer head, 8-18AB x 1.250, spacer, (2)
56	240516501	A B	Pin-lower hinge
58	5303001343	A B	Screw, hex washer head, 8-15A x 0.500
59	240442701	A B	Screw-#10-32 X 3/4, zinc
72	240368205	A B	Grille/Kickplate, white
74	240354301	A B	Shield-light, frzr
81	5308016566	A B	Screw, hex washer head, 8-15A x 0.625, low profile
82	5304418225	A B	Roller, compressor base, rear, (2)
83	5303316859	A B	Rivet, flat head, 1/4 OD x 1-3/4, roller pin
89	240326119	A B	Cover-access, with label
89*	241500301	A B	Screw, hex washer head, 8-18AB x 0.500
92	216850900	A B	Screw, hex washer hd, 1/4 x 7/8, hinge mtg
114#	240505801	A B	Switch, light/lamp
*	5303305324	A B	Paint, touch-up, white

SHELVES



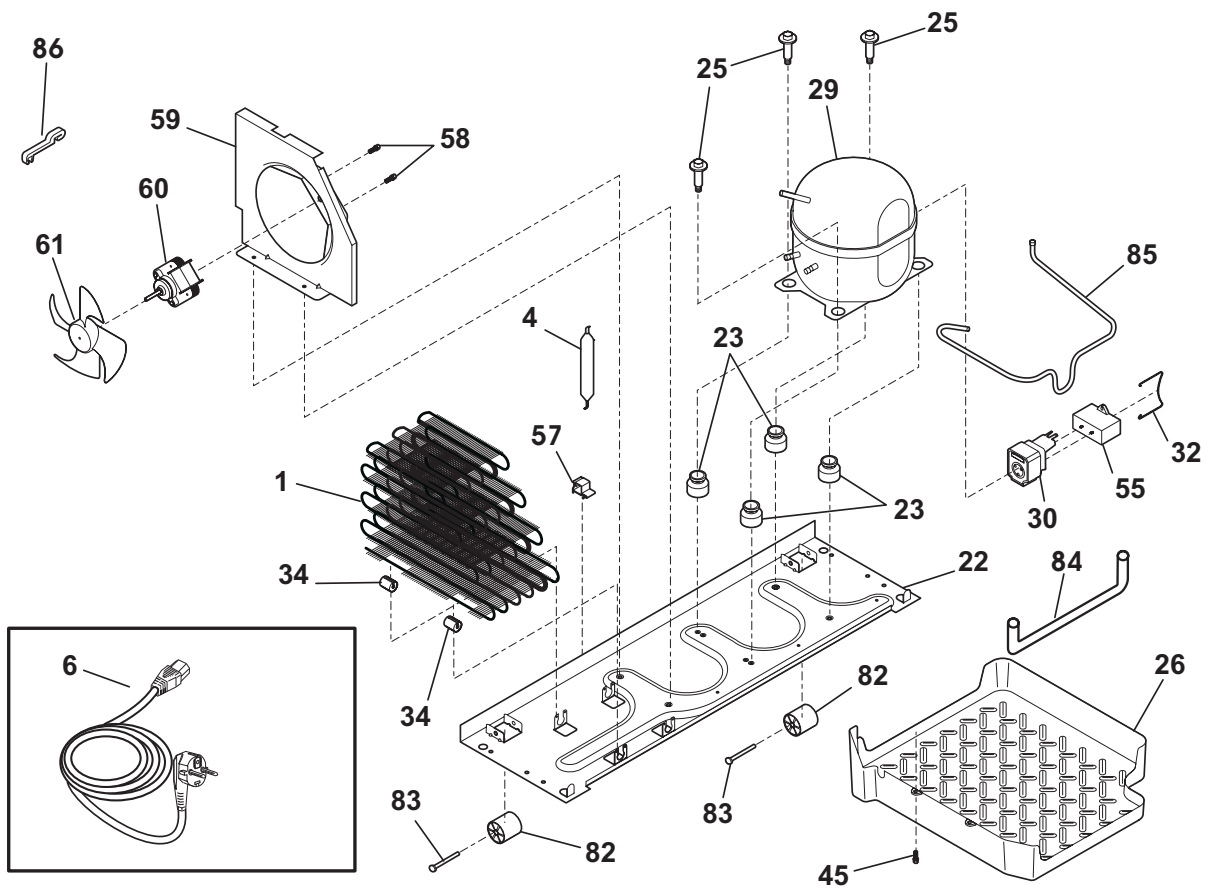
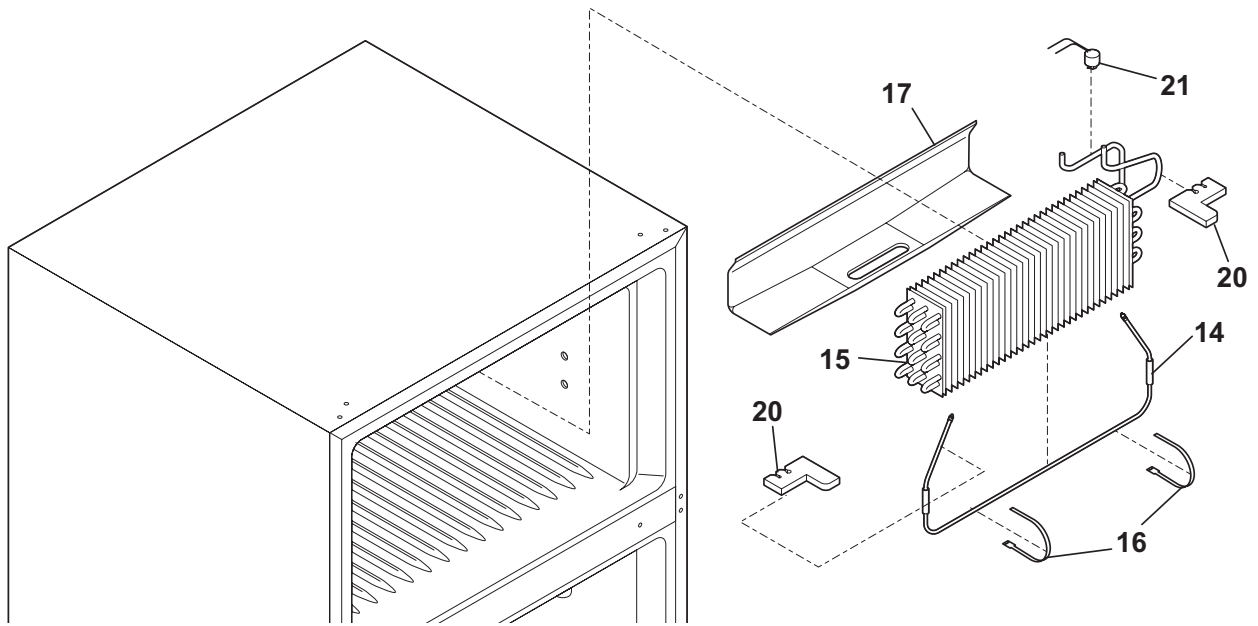
N05SABGFH11

SHELVES

Model Index: A WRTS23V7C (WRTS23V7CW3)
 B WRTS23V7C (WRTS23V7CW5)

POS. NO	PART NO.		DESCRIPTION
10	215667501	A B	Tray, ice cube, plastic
11	240358006	A B	Shelf, freezer, full-width, wire
12	240545901	A B	Diffuser-air, top
13	240362601	A B	Diffuser, air, bottom
14#	241554901	A B	Switch-light/lamp
15	218814400	A B	Light Bulb/Lamp
16	240433702	A B	Socket-light/lamp
17	240368101	A B	Control Box
17*#	240375501	A B	Wiring Harness, control box
18	240360801	A B	Knob, temp control
21 #	5304446865	A B	Control-temperature
22A	240468201	A B	Tube, sensor sleeve, 31 inch, plastic, white
23	240545402	A B	Control-defrost, adaptive timer, 220/240 V, PC board
23*	5303001259	A B	Screw-timer mtg, pan hd, 6-20 x 0.438, (2)
24	240355206	A B	Shelf, cantilever, half width, fixed, "spill safe"
24B	240408901	A B	Shelf, cantilever, full width, fixed, "spill safe"
25	240364751	A B	Cover-crisper pan
25B	240361203	A B	Knob, humidity cont.
25C	240361301	A B	Damper, humidity cont.
26	240343805	A B	Pan-crisper, water blue, (2)
31	240530908	A B	Pan-meat, water blue
34	240385201	A B	Container, ice bin
42	240356501	A B	Track, meat pan hanger, RH
42	240365401	A B	Track, meat pan hanger, LH
47	240443329	A B	Insert-pan cover, glass
61	215781501	A B	Shelf, ice tray mount, wire
66	5304402116	A B	Rack-wine
75	240412701	A B	Shield, light
81	5308016566	A B	Screw, hex washer head, 8-15A x 0.625, low profile
123	215005100	A B	Screw, hanger/r/r mtg, 8-10 x 0.438

SYSTEM



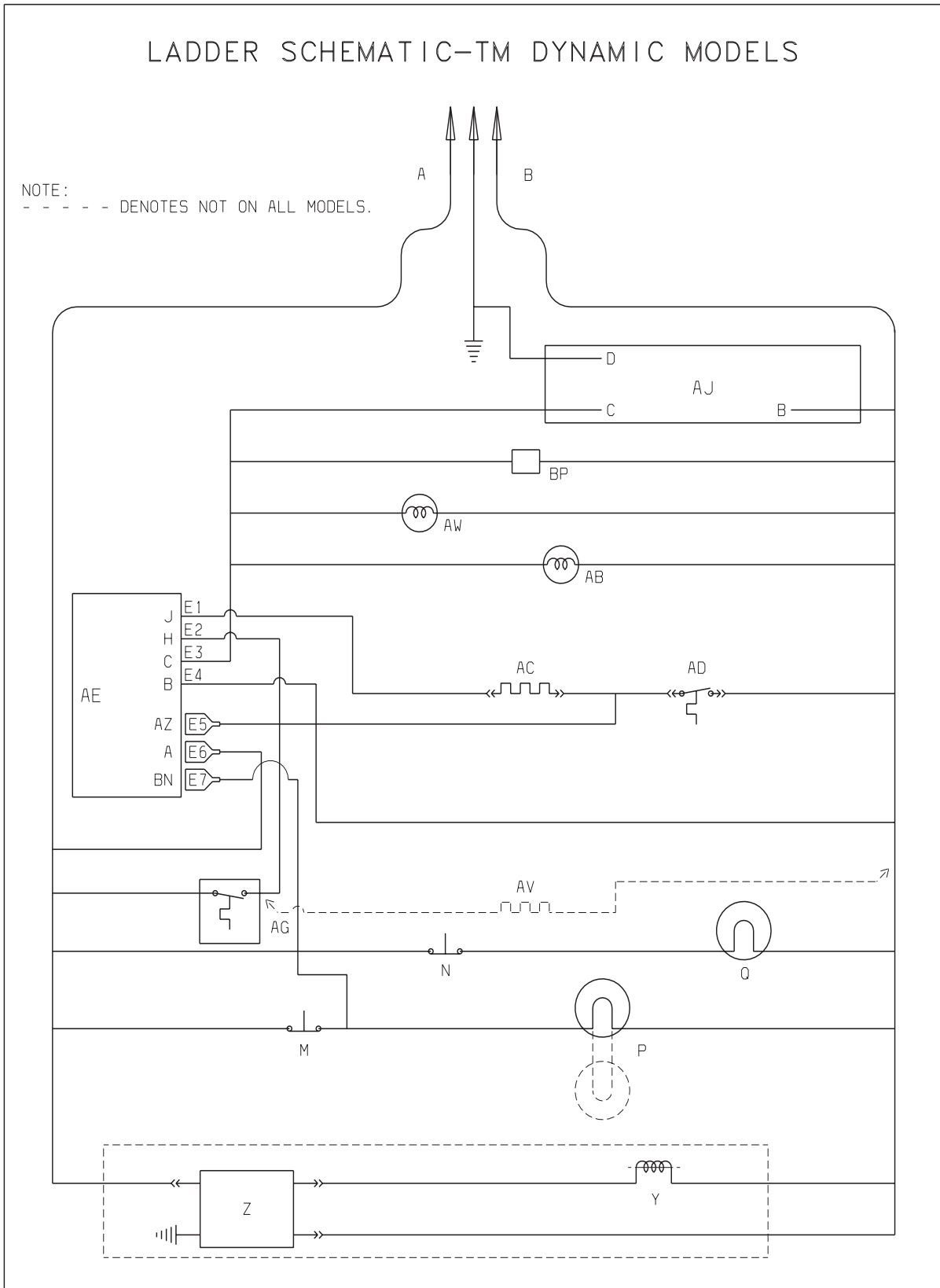
N05CAAABA6

SYSTEM

Model Index: A WRTS23V7C (WRTS23V7CW3)
 B WRTS23V7C (WRTS23V7CW5)

POS. NO	PART NO.		DESCRIPTION
1	240444401	A B	Condenser, dynamic
4 #	218944001	A B	Drier-filter, R134a System
6 #	240449501	A B	Cord-electric power
6*	240447101	A B	Bracket, strain relief
6*	240447201	A B	Clamp, strain relief
6*	240451501	A B	Screw, ind hex wshr hd, 8-32 x 0.375, thread rolling
6*	241626401	A B	Harness-wiring, machine compt
6* #	240375501	A B	Wiring Harness, control box
6* #	240524801	A B	Wiring Harness, freezer section, with light
14 #	5303918238	A B	Defrost Heater Kit, 220 V
15 #	5303918274	A B	Evaporator Kit
16	5308000110	A B	Strap-evap/heater, aluminum, (2)
17	241551801	A B	Trough-drain
20	241551902	A B	Insulation Block
21 #	5303918202	A B	Thermostat-defrost, kit
22	241602001	A B	Base-compressor
22*	218252200	A B	Screw, #8 truss hd, 10-32CA x 0.500
23	218513300	A B	Grommet-compr mtg, (4)
25	240491501	A B	Screw-compressor mtg, 1/4-28 x 1.16, shoulder, typ CF
26	241637401	A B	Pan-defrost
29 #	5303918318	A B	Compressor, w/electricals
30	241524610	A B	Starter-PTC
32	240553401	A B	Clamp, elec cont mtg, compressor
34	240405201	A B	Grommet, rubber, black, cond tube/wire
45	5308016566	A B	Screw, hex washer head, 8-15A x 0.625, low profile
55 #	218909908	A B	Capacitor, run
57	240542601	A B	Clip-wiring harness
58	218897002	A B	Screw, hex washer head, 8-32 x 0.375
59	5304430246	A B	Bracket-cond motor assy
59*	240346701	A B	Tape-foam seal, shroud
59*	240359401	A B	Screw-fan shroud, (2)
60 #	240525403	A B	Motor-condenser fan
61 #	240524101	A B	Fan Blade, galv steel, condenser fan
82	5304418225	A B	Roller, compressor base, rear, (2)
83	5303316859	A B	Rivet, flat head, 1/4 OD x 1-3/4, roller pin
84	240597301	A B	Tube-drain, lower
85	240553501	A B	Tube-connector, suction
86	240409302	A B	Spacer-cond tube, black
*	240396801	A B	Clamp, tube/wiring, nylon, black/natural
* #	5303918210	A B	Heat Exchanger Kit, suction line
* #	5303918239	A B	Hot Tube Repair Kit, 220 V, service

WIRING SCHEMATIC



WIRING DIAGRAM

